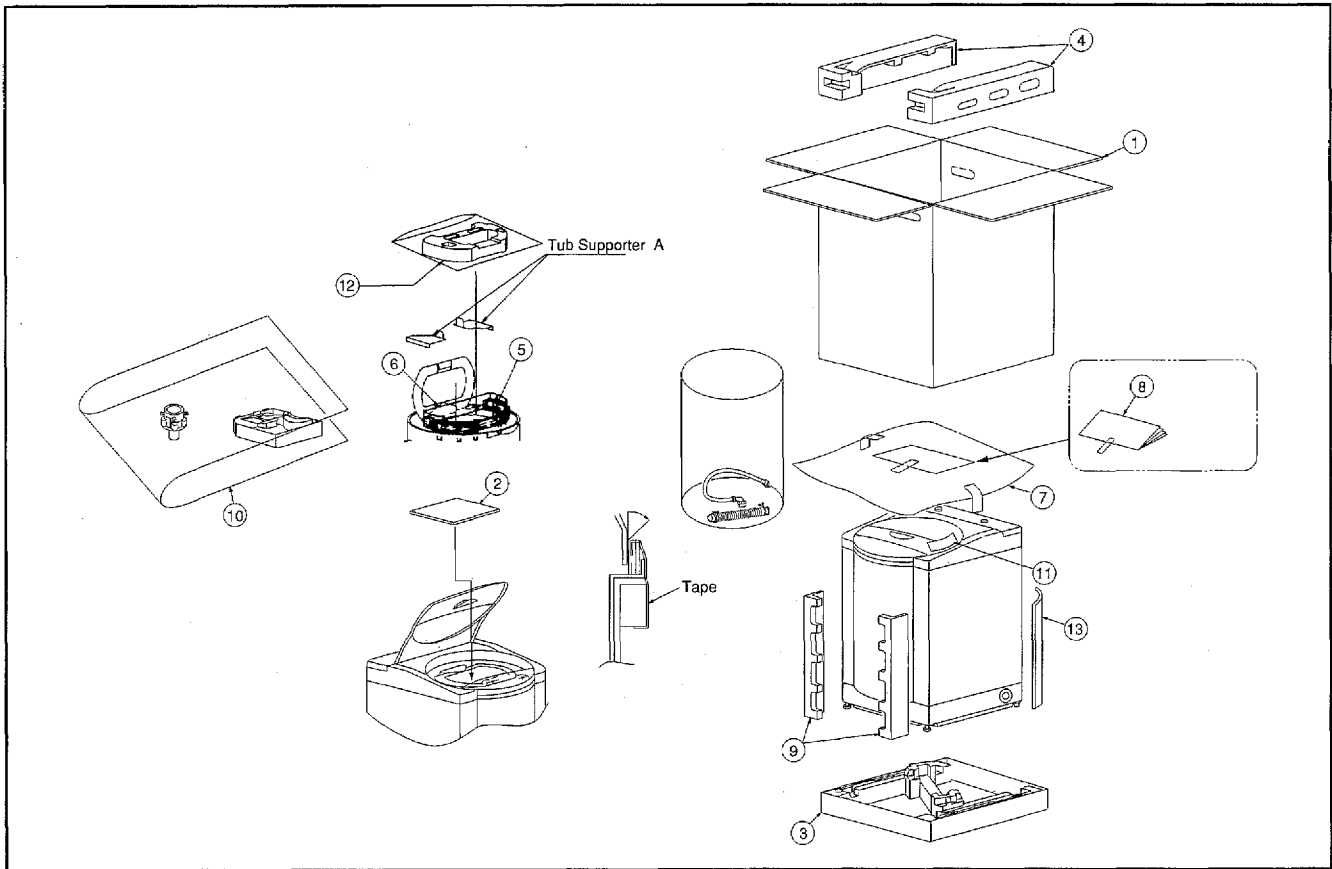


PACKING INSTRUCTIONS



REPLACEMENT PARTS LIST

REF. NO.	DESCRIPTION	PART NO.	PCS/SET	REMARKS
1	Case A	AXW9001Z6CN0	1	Except H.K,S'pore
1	Case A	AXW9001Z6CN4	1	For H.K
1	Case A	AXW9001Z6CN5	1	For S'pore
2	Operating instruction	AXW9901Z6CN0	1	For S'pore,M'sia,Vietnam/Eng · Arabic
2	Operating instruction	AXW9901Z6CN4	1	Hong Kong/English · 廣東語
2	Operating instruction	AXW9901Z6CN1	1	Thailand
2	Operating instruction	AXW9901Z6CN6	1	Middle East/English · Arabic
3	Case B	AXW90B-6CN00	1	
4	Upper cushion	AXW9004-6BM0	1	1set = 2pcs.
5	Tub support A	AXW9054-6CN0	1	
6	Case sheet	AXW9020-6BM0	1	
7	Upper sheet	AXW9069-6BM0	1	
8	Installation instruction	AXW9903Z6CN0	1	English/廣東語
9	Front cushion	AXW9215-6DK0	1	1set = 2pcs.
10	Accessory Pack	AXW9057-6BM0	1	
11	Caution label	AXW9958Z6CN0	1	Child lock, English/廣東
11	Caution label	AXW9958Z6CN4	1	Child lock, Thailand
12	Tub support B	AXW9055Z6CN0	1	
13	Rear cushion	AXW9215Z6CN0	1	1set=2pcs.